

200 Series—RV / 5th Wheel

200 Series

Standard RV Box

- Tailgate Chest Style
- Durable Aluminum Construction
- Locking Handles Access Both Sides
- Clearance for 5th Wheel Hookup
- Dual Gas Shocks for Lid
- Full Rubber Seal



203 Series

V Style 3 Lid 5th Wheel

- 3 Independent Lids
- Durable Aluminum Construction
- Locking Paddle Handles
- Clearance for 5th Wheel Hookup
- 3 Gas Shocks
- Full Rubber Seal

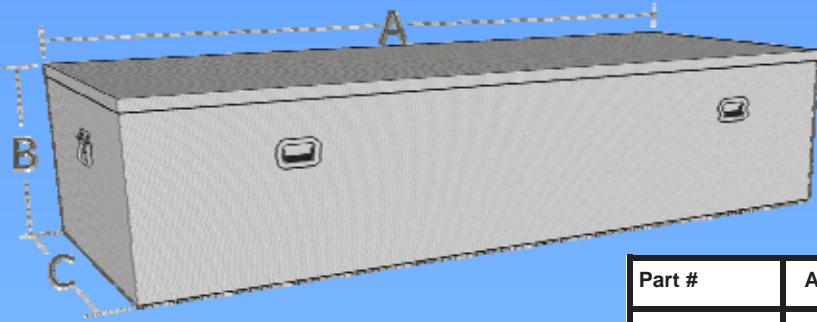


V Style 1 Lid / 2 Door 5th Wheel

- 1 Center Compartment w/ Lid & Shock
- 2 Outer Door Compartments
- Easier Access When Hooked Up
- Locking Paddle and Folding T Handles
- Full Rubber Seal
- Durable Aluminum Construction
- First of It's Kind



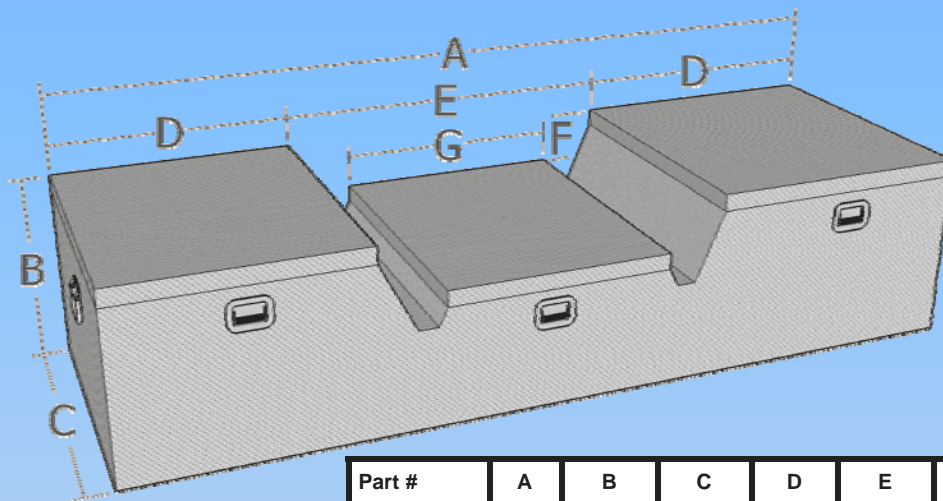
5th Wheel / RV Box



Part #	A	B	C	UPS	Weight
TB200-57	57"	12"	20 ¼"	Y*	42

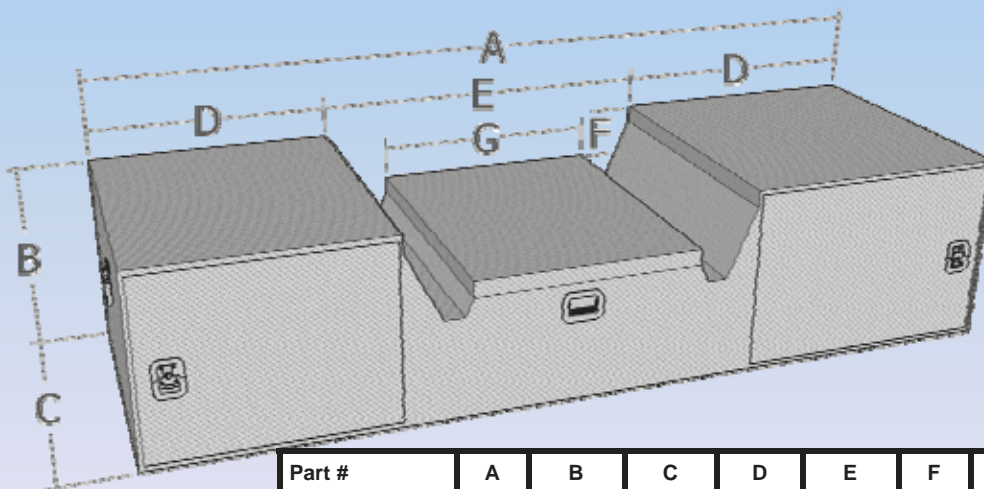
* Ship as FedEx Oversize based on dimensional weight.

“V” Style 5th Wheel / RV Boxes



Part #	A	B	C	D	E	F	G	UPS	Weight
TB203-57	57"	15 ¼"	19"	15"	27"	5"	12"	Y*	43

* Ship as FedEx Oversize 3 based on dimensional weight.



Part #	A	B	C	D	E	F	G	UPS	Weight
TB203-57RD	57"	15"	19"	15"	27"	5"	12"	Y*	43

Sizes and weights are nominal

All products available with black powder coat—Add “-B” to end of part number. (eg. TB200-57-B)