

100 Series Topsider

Standard Topsider

- Square by Design—Maximum Capacity
- Folding Locking T Handles
- Automotive Support Cables
- Mounting Hardware / Legs Included



Slanted Topsider

- Angled to Match Truck Cab
- Folding Locking T Handles
- Automotive Support Cables
- Mounting Hardware Included



Both Models Feature

- Sturdy Aluminum Construction
- Reinforced Drop Down Sealed Doors

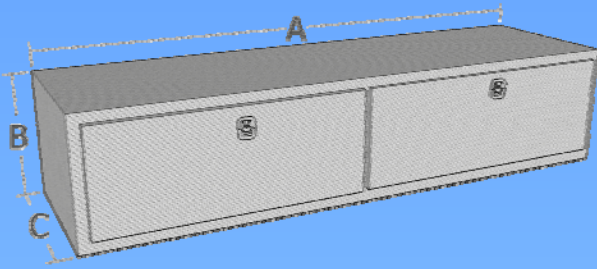
300 Series Side Box

Standard Side Box

- Angle to Match Truck Cab
- Locking Paddle Handles
- 2 Gas Shock to Support / Lift Lid
- J Hook Mounting System
- Mounting Legs Included
- Use Alone or Combo with a Crossover Box
- Maximize Tool Storage
- Sturdy Aluminum Constructions
- Sleek Design
- Access Either End with One Pull

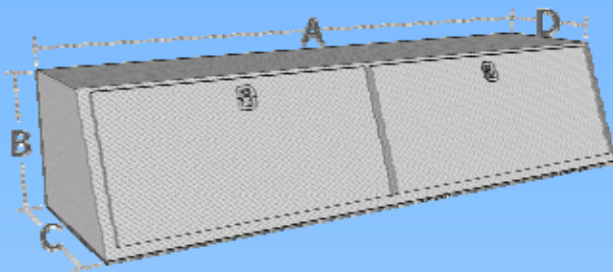


100 Series Standard Topsider



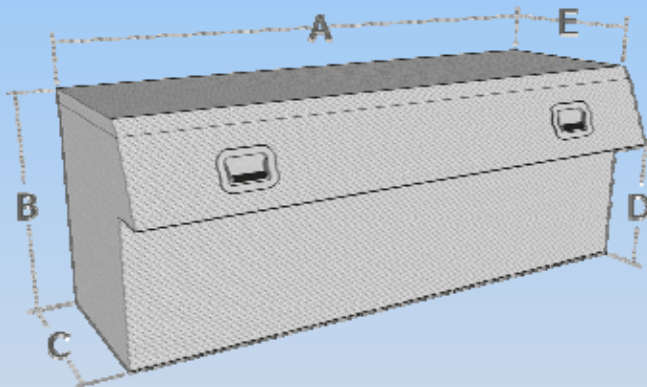
Part #	A	B	C	UPS	Weight
TB100-48	48"	16"	15"	Y*	35
TB100-72	72"	16"	15"	N	43
TB100-88D	88"	16"	15"	N	53
TB100-90D	90"	16"	15"	N	58
TB100-96D	96"	16"	15"	N	68

100 Series Slanted Topsider



Part #	A	B	C	D	UPS	Wt
TBS100-48	48"	16"	14 1/4"	10 3/8"	Y*	33
TBS100-72	72"	16"	14 1/4"	10 3/8"	N	41
TBS100-88D	88"	16"	14 1/4"	10 3/8"	N	51
TBS100-90D	90"	16"	14 1/4"	10 3/8"	N	56
TBS100-96D	96"	16"	14 1/4"	10 3/8"	N	66

300 Series Standard Side Boxes



Part #	A	B	C	D	E	UPS	Weight
TB300-48	48"	12 1/2"	7 7/8"	6 1/4"	11 1/2"	Y	23
TB300-60	60"	12 1/2"	7 7/8"	6 1/4"	11 1/2"	Y*	29
TB300-72	72"	12 1/2"	7 7/8"	6 1/4"	11 1/2"	Y*	34
TB300D-48	48"	13 1/2"	10 3/4"	7"	14 3/8"	Y	29
TB300D-60	60"	13 1/2"	10 3/4"	7"	14 3/8"	Y*	36
TB300D-72	72"	13 1/2"	10 3/4"	7"	14 3/8"	N	42

Sizes and weights are nominal. All products available with black powder coat—Add "-B" to end of part number. (eg. TBS200-48-B)