

# INSTALLATION INSTRUCTIONS

## PRODUCT DESCRIPTION

Bed Safe Universal Fit



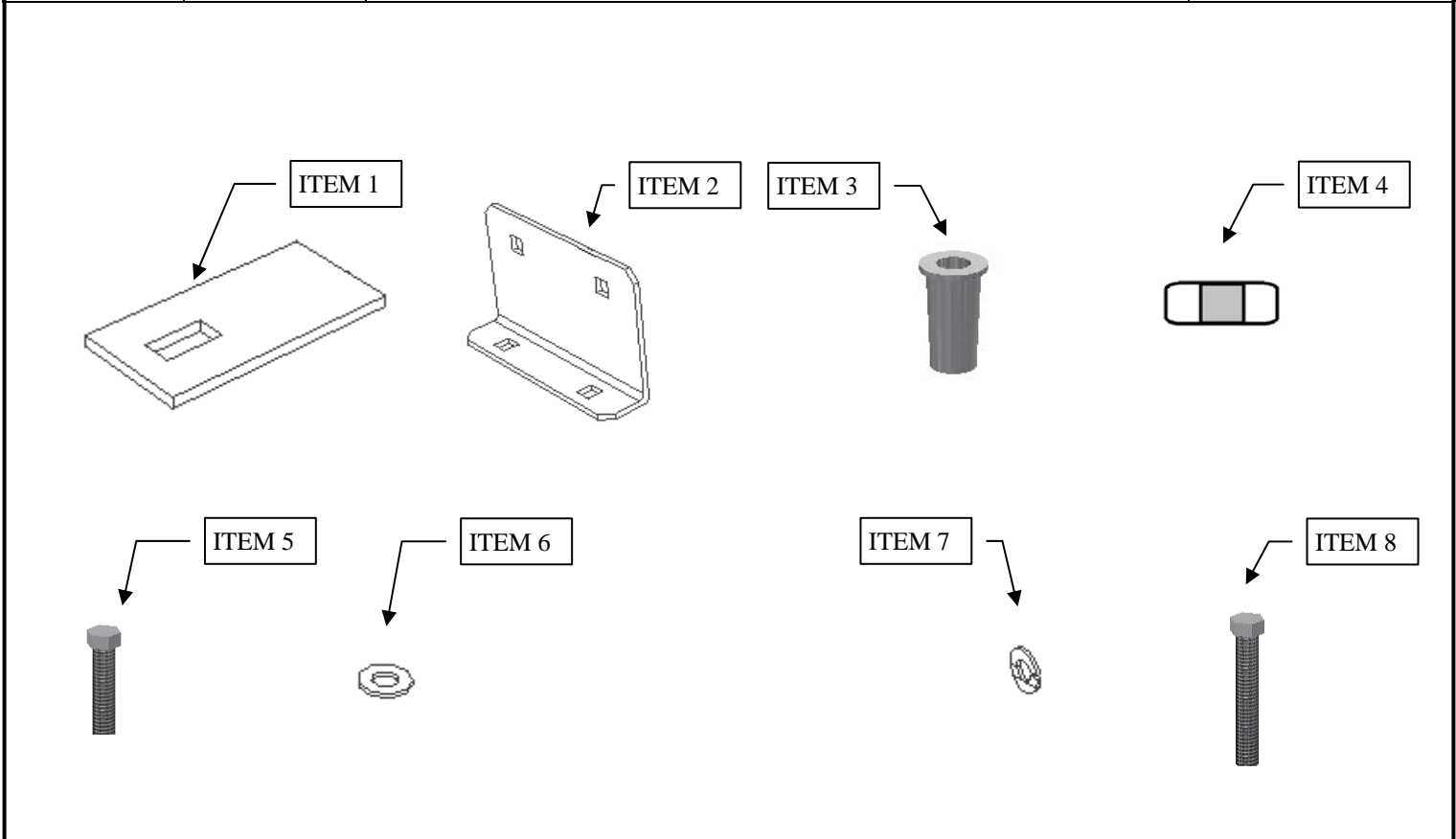
PART NUMBERS:

HBS306, HBS307, HBS308, HBS312, HBS336, HBS338



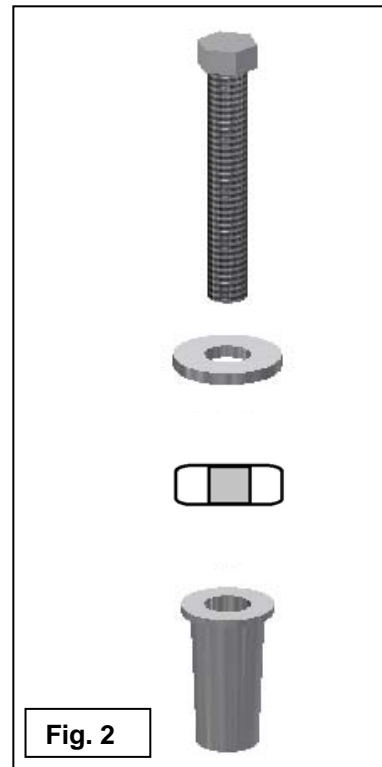
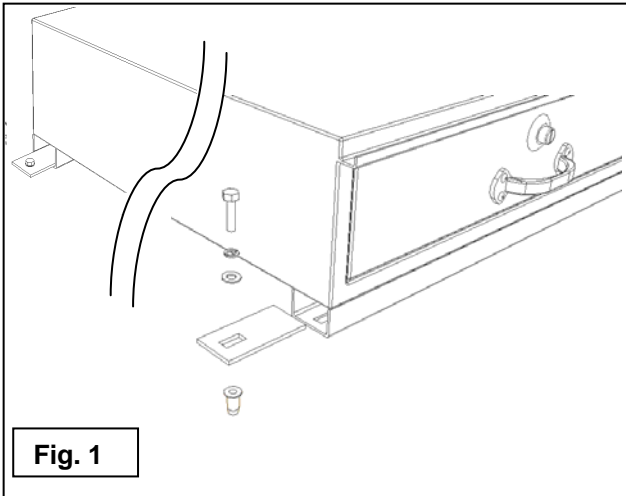
### CONTENT

ITEM	QUANTITY	DESCRIPTION	TOOLS NEEDED
1	4	ALUMINUM MOUNTING TABS	1/2" SOCKET
2	1	ANGLED ALUMINUM MOUNTING BRACKET	RATCHET
3	6	PLUS NUTS	1/2" WRENCH
4	1	5/16 Nut	1/2" DRILL BIT
5	4	5/16" x 1 1/4" HEX HEAD SCREW	DRILL
6	6	5/16" FLAT WASHER	
7	6	5/16" LOCK WASHER	
8	1	5/16" X 2" HEX HEAD SCREW	



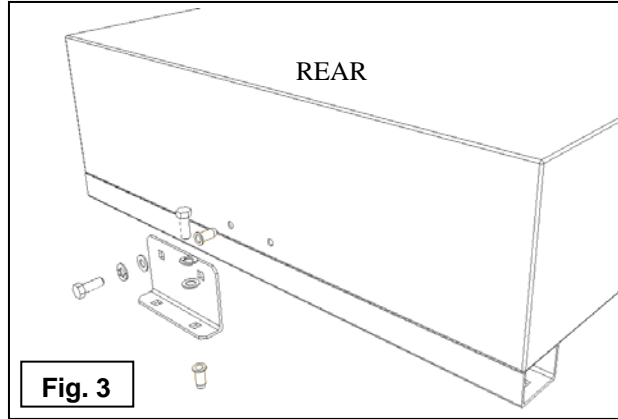
## PROCEDURE

1. Remove contents from box, verify if all parts listed are present and free from damage.  
Carefully read and understand all instructions before attempting installation.  
**Failure to identify damage before installation could lead to a rejection of any claim.**
2. Position box in desired mounting location.
3. Slide a mounting plate into each open end of the front and rear stanchions. Align no further than the leading edge of the slot in the mounting plate. Mark the slot, remove the mounting plate and drill 1/2" hole. (Be sure there are no wires, brake lines, gas lines, etc., below before drilling) **See Figure 1**
4. Lightly tap Plus Nuts into the drilled holes. Follow Plus Nut installation procedure. **See Figure 2**  
**Plus Nut Installation Procedure:**
  - A. Put the bolt, washer and 5/16" nut together in order (**See Figure 2**) and begin to hand tighten.
  - B. Drill 1/2" hole in truck bed.
  - C. Insert bolt 1-2 threads past the end of plus nut.
  - D. Insert plus nut assembly into the truck bed hole, hold bolt with a ratchet to keep it from turning.
  - E. Rotate nut with a wrench to lock the plus nut into the bed
  - C. Remove bolt, washer and 5/16" nut.
5. Place the mounting tab into the stanchion and locate slot in the tab over the Plus Nut. Secure mounting plate with 5/16" X 1 1/4" hex head screw, flat washer, and lock washer. Complete this procedure on all four corners. **See Figure 1**



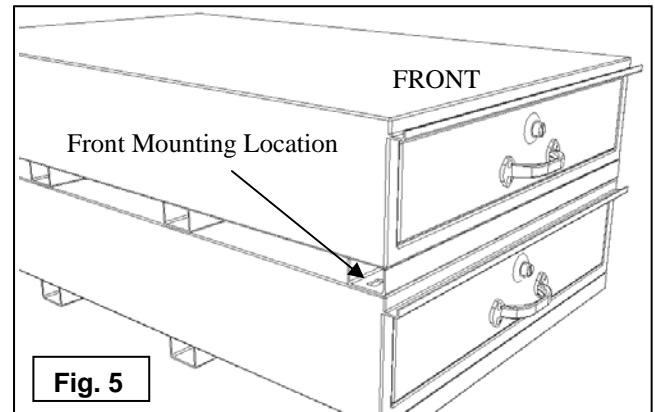
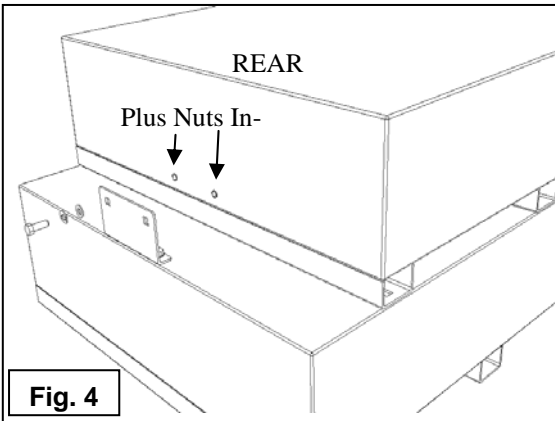
### Alternative Rear Mount Instructions

1. Use this method if you have space constraints in the rear mounting of the unit. **See Figure 3**
2. Pull drawer out of unit, once drawer hits the positive stop, reach into the box and remove the stop by removing the bolts with your 1/2" socket. Completely remove the drawer and set it aside.
3. Center the rear mounting bracket on the Bed Safe housing and mark two holes in the floor and two holes in the Bed Safe.
4. Drill 1/2" holes in all four locations. **Note:** After holes are drilled be sure to sweep out all shavings from inside the box, failure to do so results in the drawer operating improperly and roughly.
5. Place box back into position and install the plus nuts according to the "Plus Nut Installation Procedure" in step 4 of the previous section. Put drawer back into position and reattach the positive drawer stop inside the box.
6. Secure using 5/16" x 1 1/4" hex head screws, flat washer and lock washer as seen in **Figure 3**.



### Stacking Bed Safe Units Mount Instructions

1. Once lower Bed Safe is properly installed, place the next Bed Safe on top and use the angled mounting plate to attach the two units in the rear section. Use previously stated "Plus Nut Installation Procedure". **See Figure 4.**
2. Remove the top drawer stop and remove and set aside the drawer. Remove the two conveyer rollers and mark the outer slots. Remove the top box and drill 1/2" holes then follow the "Plus Nut Installation Procedure". **See Figure 5**
3. At this point remove all shavings from the drilling process from both boxes, failure to do so results in the drawer operating improperly and roughly.
4. Secure all six locations with 5/16" x 1 1/4" hex head screws, lock washers, and flat washers.
5. Replace conveyer rollers, put drawer back into position and reattach the positive drawer stop inside the box. Failure to replace stop could result in the drawer falling out of the case and possibly personal injury.





**CARE INSTRUCTIONS**

- REGULAR WAXING IS RECOMMENDED. DO NOT USE ANY TYPE OF POLISH OR WAX THAT MAY CONTAIN ABRASIVES.
- STAINLESS STEEL PRODUCTS CAN BE CLEANED WITH MILD SOAP AND WATER. STAINLESS STEEL POLISH SHOULD BE USED TO POLISH SMALL SCRATCHES.
- GLOSS BLACK FINISHES SHOULD BE CLEANED WITH MILD SOAP AND WATER.



**WARNING**



**Failure to follow these instructions could lead to death, personal injury, and / or property damage.**

**FASTENERS:**

**All UTA supplied fasteners must be utilized and installed in accordance with the installation instructions and apply torque to the specifications as defined. **DOUBLE CHECK ALL FASTENERS BEFORE INITIAL USE, AND PERIODICALLY IN THE FUTURE TO ENSURE PROPER FUNCTION AND SAFETY.****

**DRILLING:**

**If drilling is defined as required, use caution when drilling a vehicle.**

**FAILURE TO REVIEW AN AREA TO BE DRILLED MAY RESULT IN PERSONAL INJURY AND/OR INJURY TO OTHERS AS WELL AS VEHICLE DAMAGE.**

**EYE PROTECTION:**

**ALWAYS WEAR SAFETY GLASSES OR GOGGLES DURING THE INSTALLATION PROCESS TO AVOID PERSONAL INJURY.**

