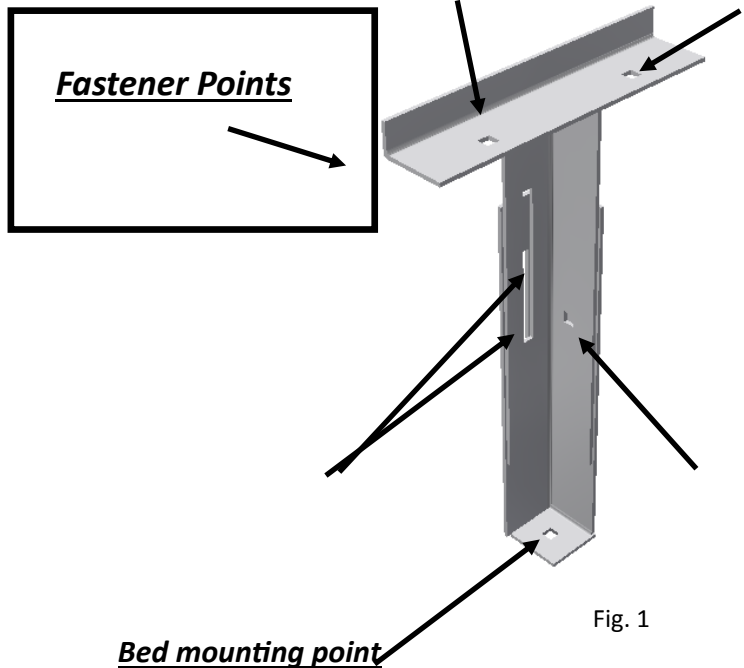
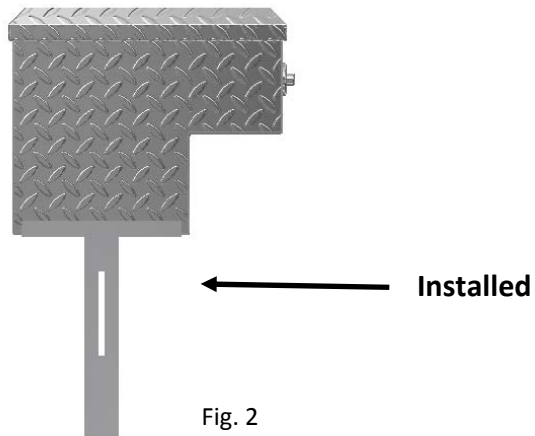


## LoSider Adjustable Mounting Bracket



- Mark and drill holes in bottom of the LoSider box using the top mounting bracket
- Mount Top bracket to bottom of the LoSider box with 2- 5/16x1 bolts/nuts/flat washers that are provided
- Align bottom bracket to desired height and placement on bed
- Place 2- 5/16x1 bolts/nuts/flat washers that are provided in the channels through both pieces of the bracket and tighten to hold desired height
- Drill hole in bed through the bed mounting point hole in the bottom bracket and bolt bracket to bed with fastener not included
- Drill hole through both brackets using the placement hole in the top bracket, place and tighten 1- 5/16x1 bolts/nuts/flat washers that is provided in hole.
- Go back and tighten all fasteners down tight and repeat on other side of the LoSider to complete installation



\*Bed mounting point fastener not included\*

# INSTALLATION GUIDE

## APPLICATIONS FOR MODEL #'S:

RB184, RB174, RB172, RB164, RB180-1, RB178-9

### Parts List

5/16x1 S.S. Hex Bolts	10
5/16" S.S. Nylock Nuts	10
5/16" S.S. Flat Washers	20
1/4-20 "J" Bolt	2
Fender Washers	2
1/4" Lock Washers	6
1/4" Hex Nuts	6
1/4-20 S.S. Carriage Bolts	4



Fig. 1

Step 1: Set box on bed rail and support underneath to level tool box. Picture above, we used the box tray and a spacer to level box.

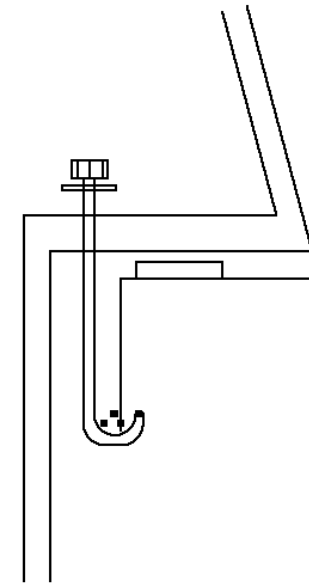


Fig. 2

Step 2: Slide J bolts under bed rail lip and up into precut slots in the tool box. Secure with 1/4" fender washer, lock washer, and 1/4—20

Optional Hardware: If you would like to attach your low sider box to your front crossover box, use the 2 x 4 angle provided. Align boxes then drill a 1/4" hole through each of the 4 holes provided in the bracket into each box. Secure using 1/4" carriage bolts with a 1/4" flat washer, lock washer and nut. See Fig. 3

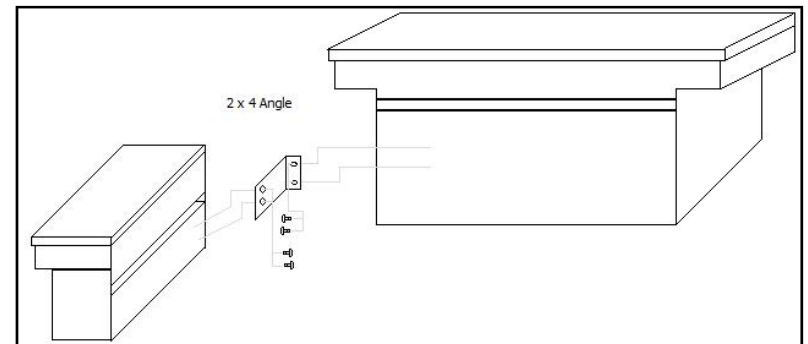


Fig. 3